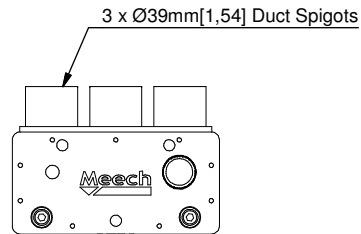
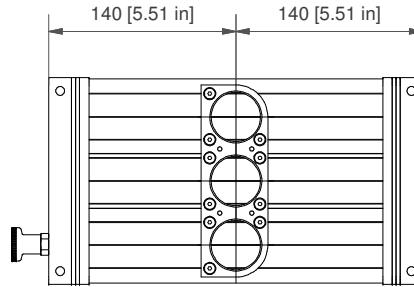


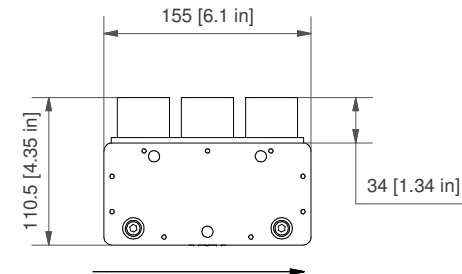
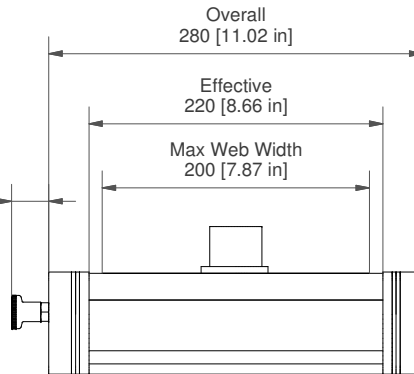
To Suit 0001-0200mm Max Web Width

CyClean R Product Code: ACR-0200-0TMS-01

Dimensions : mm[inches]

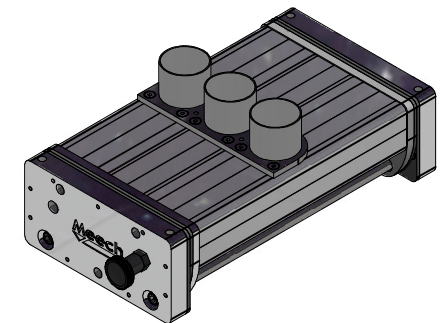
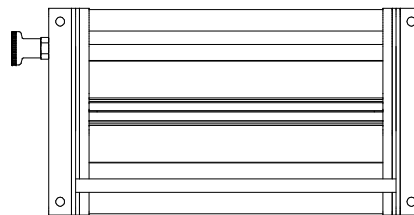
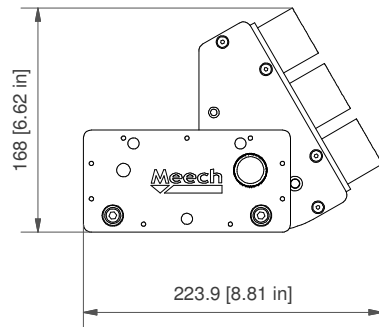


27.8 [1.09 in]



Standard Web Direction : Left to Right
Right to Left option available upon request

Open Location



Meech International
2 Network Point
Range Road, Witney
OX29 0PA, UK
Tel: +44 (0) 1993 706700
Fax: +44 (0) 1993 778977
email: sales@meech.com
web: www.meech.com

'Meech International' is a trading style of Meech Static Eliminators Ltd

TITLE : CyClean R, 0001-0200 Web Width, No AHU, Tab Feed, Manual, Single Sided

DRAWING NO: ACR-0200-0TMS-01

MATERIAL : Various

FINISH : Various

TOLERANCE UNLESS OTHERWISE SPECIFIED
Machined Work Metric ± 0.1mm
Unmachined Fabrications ± 1mm
Angular ± 0°30'

DIMENSIONS IN MM DO NOT SCALE
CRITICAL TO FUNCTION (CTF)
DIMENSIONS AS MARKED

PROJECTION	SHEET A3	SCALE NTS
------------	----------	-----------

DATE : 25/03/2020

REVISION : 0

SHEET : 1 / 2

DETAIL : Marketing

DRAWN BY : Liam Fernley

CHECKED BY : David Hyde

SIGNED OFF BY : David Hyde

'Meech International' is a trading style of Meech Static Eliminators Ltd

TITLE : CyClean R, 0001-0200 Web Width, No AHU, Tab Feed, Manual, Single Sided

DRAWING NO: ACR-0200-0TMS-01

MATERIAL : Various

FINISH : Various

TOLERANCE UNLESS OTHERWISE SPECIFIED
Machined Work Metric $\pm 0.1\text{mm}$
Unmachined Fabrications $\pm 1\text{mm}$
Angular $\pm 0^{\circ}30'$

DIMENSIONS IN MM DO NOT SCALE
CRITICAL TO FUNCTION (CTF)
DIMENSIONS AS MARKED

PROJECTION	SHEET	SCALE
	A3	NTS

DATE : 25/03/2020

REVISION : 0

SHEET : 2 / 2

DETAIL : Marketing

DRAWN BY : Liam Fernley

CHECKED BY : David Hyde

SIGNED OFF BY : David Hyde

